

**T KONFEX s.r.o. - VEIT SLOVENSKO**

Partizánska 264/24, Uhrovec



[www.veit.sk](http://www.veit.sk)  
[www.tkonfex.sk](http://www.tkonfex.sk)



[info@veit.sk](mailto:info@veit.sk)  
[tkonfex@tkonfex.sk](mailto:tkonfex@tkonfex.sk)



**+421 905 162 119**



## **ELECTRIC STEAM BOILERS**

CEV Line

## T KONFEX s.r.o. - VEIT SLOVENSKO

Partizánska 264/24, Uhrovec

- Power range between 25 and 4.000 kW
- Design codes: AD-MERKBLÄTTER, EN-13445
- CE Marked
- Design pressure: 9 bar(g)
- Max. Working pressure: 8 bar(g)
- Design temperature: 200°C
- Max. Working temperature: 175°C

### OPTIONS:

- Different steam productions
- Different pressures
- ATEX Execution
- Toal execution in INOX
- Automatic purge of salts
- Automatic blowdown purge
- Overheating securities

The electric steam boilers heat the fluid using one or several electric resistances. The connection of these resistances allows to separate the power in several stages.

The power regulation is completely automatic and is granted simply selecting the desired temperature in the control panel. In the control panel are placed contactors or solid state relays that will active the different stages of the resistance.



**T KONFEX s.r.o. - VEIT SLOVENSKO**

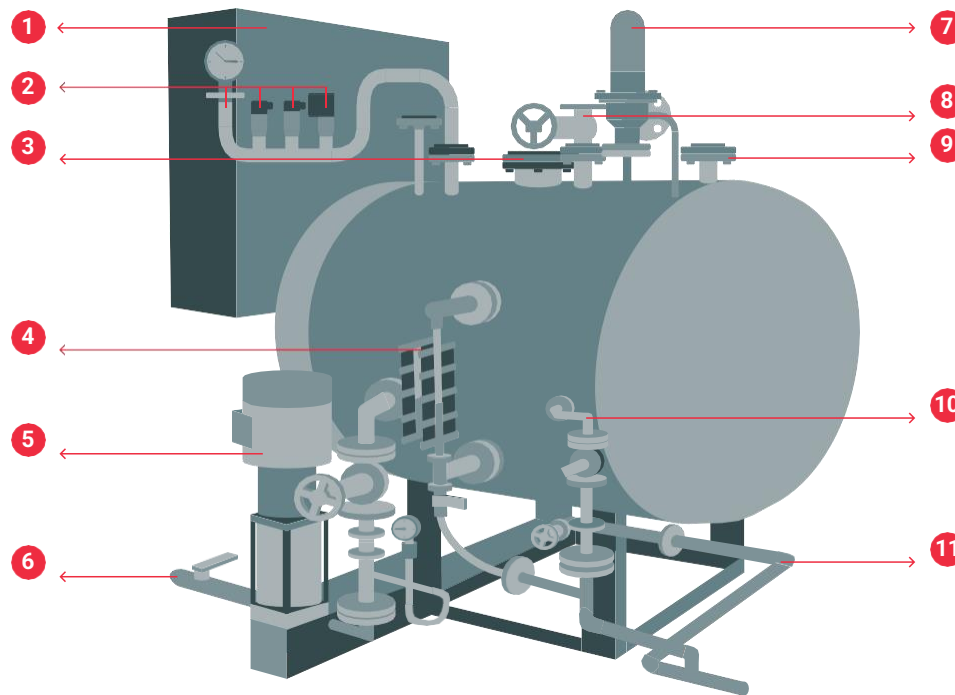
Partizánska 264/24, Uhrovec

**APPLICATIONS:**

- Food processes
- Sterilization
- Cleaning
- Humidification
- Research centers
- Universities
- Solar energy
- Mining
- Presses
- Reactors
- Hydration processes
- Heating process
- Textile industry
- Industrial laundry
- Pilot centers

**BOILER SCHEME:**

- 1 Control panel
- 2 Pressure switches and pressure gauge
- 3 Level control
- 4 Visual level
- 5 Feeding pump
- 6 Feeding network inlet
- 7 Safety valve
- 8 Steam outlet
- 9 Level security
- 10 Purge of salts
- 11 Blowdown purge



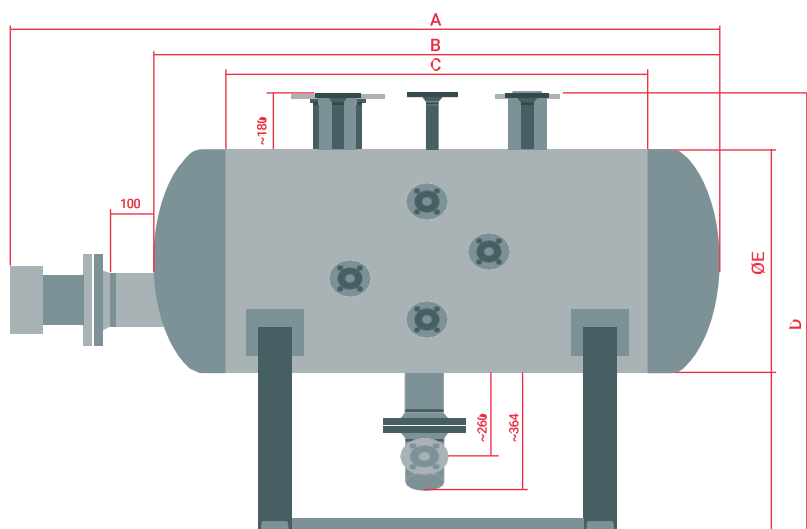
**T KONFEX s.r.o. - VEIT SLOVENSKO**

Partizánska 264/24, Uhrovec

**MAIN DIMENSIONS (mm):**

MODEL	RESISTANCES 1 X power	OVERALL DIMENSIONS				
		A	B	C	D	E
<b>CEV-25</b>	1 x 25 kW	1345	1010	700	1275	600
<b>CEV-50</b>	1 x 50 kW	1345	1010	700	1275	600
<b>CEV-75</b>	1 x 75 kW	1690	1350	1000	1375	700
<b>CEV-100</b>	1 x 100 kW	1690	1350	1000	1375	700
<b>CEV-150</b>	1 x 150 kW	1690	1350	1000	1375	700
<b>CEV-200</b>	1 x 200 kW	1810	1445	1000	1575	900
<b>CEV-2000</b>	3 x 667 kW	4400	3500	2500	2400	1700

MODEL	CALORIFIC POWER	STEAM PRODUCTION (*)
	kW*	kg/h
<b>CEV-25</b>	25	35
<b>CEV-50</b>	50	70
<b>CEV-75</b>	75	105
<b>CEV-100</b>	100	140
<b>CEV-125</b>	125	175
<b>CEV-150</b>	150	210
<b>CEV-175</b>	175	245
<b>CEV-200</b>	200	280
-	-	-
<b>CEV-4000</b>	4000	5600



The manufacturer reserves the right to modify the dimensions according to the final execution drawings.

Category according to DEP 97/23 CE: Cat. IV, mod G.  
(\*) Other powers and pressures on demand.

**T KONFEX s.r.o. - VEIT SLOVENSKO**

Partizánska 264/24, Uhrovec



*CEV-50 portable*



*Skid CEV-180 Clean steam*